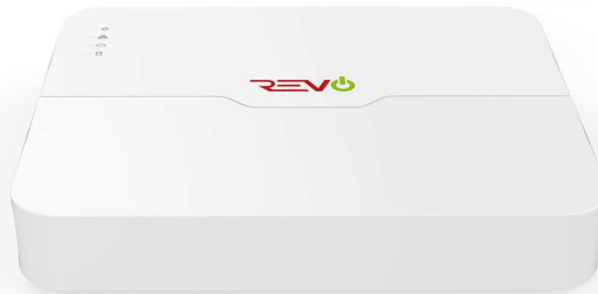


Network Video Recorder

RU8NVR2X



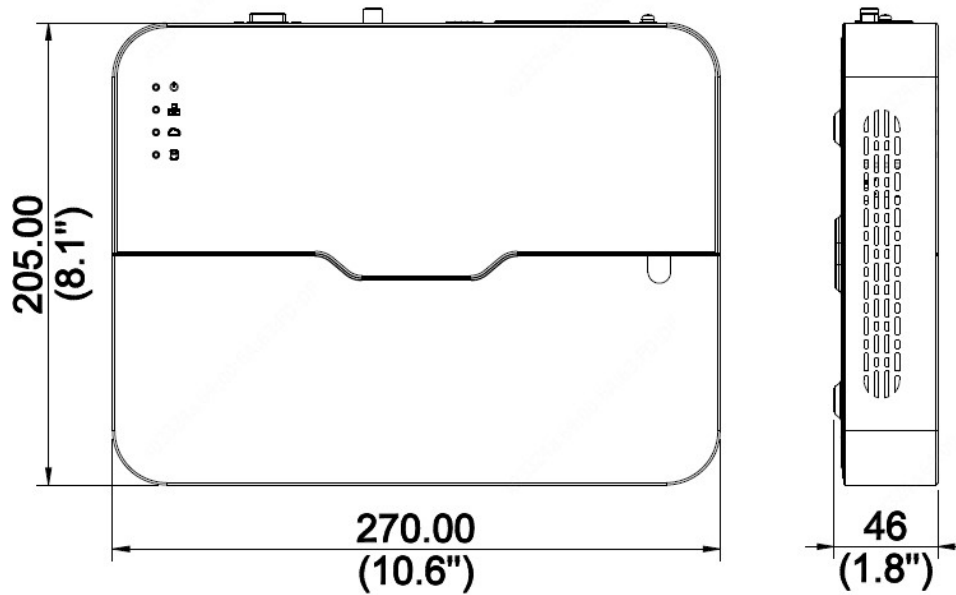
Key Features

- Plug & Play with 8 Independent PoE network Ports
- Support 1-ch VGA, 1-ch HDMI at up to 4 K (3840x2160) resolutions
- Up to 4K (8 Megapixels) resolution recording
- Accurate retrieval, instant playback
- 1 SATA HDD up to 6 TB
- Two-Step Smartphone View Setup – iPhone and Android
- Myrevocloud.com – Access your Ultra NVR from virtually any internet Explorer browser
- REVO ULTRA EZStation Computer Software – Conveniently view multiple units at once

Specifications

RU8NVR2X	
Video and Audio	
IP Video Input	8-ch
Two-way audio Input	1-ch, RCA
Network	
Incoming bandwidth	64Mbps
Outgoing bandwidth	48Mbps
Remote connection	128
Protocols	P2P, UPnP, NTP, DHCP, PPPoE
Video/Audio Output	
HDMI/VGA Output	HDMI: 4K(3840x2160)/30Hz, 1920x1080p/60Hz, 1920x1080p/50Hz, 1600x1200/60Hz, 1280x1024/60Hz, 1280x720/60Hz, 1024x768/60Hz VGA: 1920x1080p/60Hz, 1920x1080p/50Hz, 1600x1200/60Hz, 1280x1024/60Hz, 1280x720/60Hz, 1024x768/60Hz
Recording Resolution	4K/5MP/4MP/3MP/1080p/960p/720p/D1/2CIF/CIF
Audio Output	1-ch, RCA
Synchronous Playback	8-ch
Corridor Mode Screen	3/4/5/7/9
Decoding	
Compression	Ultra 265/H.265/H.264
Live view/ Playback	4K/5MP/4MP/3MP/1080p/960p/720p/D1/2CIF/CIF
Capability	1 x 4K@30, 4 x 5MP@25, 4 x 4MP@25, 4 x 3MP@25, 4 x 1080p@30, 8 x 720p@30
Hard Disk	
SATA	1 SATA interface
Capacity	up to 6TB for each disk
External Interface	
Network Interface	1 RJ-45 10M/100M self-adaptive Ethernet Interface
USB Interface	Rear panel: 2 x USB2.0
PoE	
Interface	8 independent 100 Mbps PoE network interfaces
Max Power	Max 30W for single port Max 75W in total
Supported Standard	EE 802.3at, IEEE 802.3af
General	
Power Supply	52V DC
Consumption (without HDD and PoE)	≤ 9 W
Working Environment	+14°F ~ +131°F (-10°C ~ + 55°C) , Humidity ≤ 90% RH (non-condensing)
Dimensions (WxDxH)	10.6" × 8.1" × 1.8" (270mm × 205mm × 46mm)
Weight (without HDD)	≤ 1.76 lb (0.7 Kg)

Dimensions



Rear Panel

