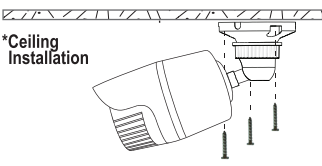
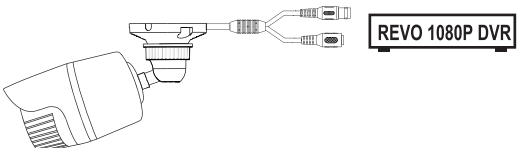


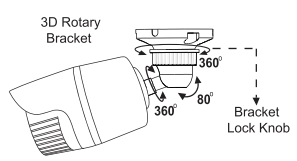
***Ceiling Installation**



3. Wiring Instructions
Connect the BNC end of the camera cable to the extension cable; connect the extension cable to the 1080P DVR.



4. Adjust 3-Axis Bracket
Adjust the bracket while checking the view angle from the monitor. Loosen the bracket lock knob by turning counterclockwise, after adjusting the 3-Axis bracket (X-Y-Z Axis) to get the desired viewing angle, tighten the lock knob by turning it clockwise.



4

6. SPECIFICATIONS
According to the camera purchased, select and refer to the appropriate specification below:

Model No.	RTCBS30-1	
Image Device	1/2.7" Color Image Sensor	
Effective Pixels	1920(H) x 1080(V)	
Resolution	1080P	
Min Illumination	0 Lux (IR On)	
S/N Ratio	More than 40dB	
Electronic Shutter	1/60-1/120,000/S	
WDR	Auto	
White Balance	Auto	
AGC	Built-in/Auto	
Lens Furnished	Board Lens	
Sync System	Internal	
Video Output	1Vp-p/ 75 Ohms	
Power Supply	DC 12V±10%	
Power Consumption	IR LED OFF	120mA max.
	IR LED ON	300 mA max.

Infrared Illuminator Module

Infrared Luminary	30IR LED
Wavelength	850nm
Illuminant Distance	31m
IR filter	Automatic IR Cut Filter Removal
Power Supply	DC 12V±10%
Power Consumption	4W

System Device

Operating Temp.	-10°C to 50°C (14°F to 122°F)
Construction	Aluminum Case
Waterproofing Criterion	IP 66
Dimensions	φ 66x104 (L) mm (Body only)

(Note: Design and specifications are subject to change without prior notice.)

5

REVO™ OUT OF SIGHT
PEACE OF MIND

Indoor / Outdoor
IR Night Vision Camera

Instruction Manual


VER.:1.0

Thank you for purchasing our product. Before installing this camera, please read this instruction manual carefully to ensure proper use.

1. Safety Precautions

CAUTION
RISK OF ELECTRIC SHOCK. DO NOT OPEN!

CAUTION : TO REDUCE THE RISK OF ELECTRICAL SHOCK, DO NOT OPEN COVERS. NO USER SERVICEABLE PARTS INSIDE. REFER SERVICING TO QUALIFIED SERVICE PERSONNEL.

 Disposal of Old Electrical & Electronic Equipment (Applicable in the European Union and other European countries with separate collection systems).

- Although the camera is provided with tempered glass, please avoid all direct contact to eliminate contamination, and use cotton balls dipped in cleaning alcohol to clean the window.

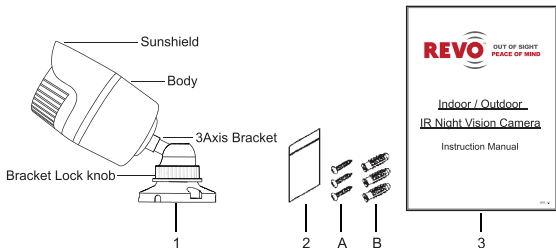
2. Description
This Infrared Illuminator camera uses a highly sensitive 1/2.7" interline transfer color image sensor, which provides extremely long life and high reliability. This camera offers excellent image quality and functions with low lag and high burn resistance, and is not subject to distortions from magnetic fields.
Highly resistant to shock and vibration and easy to install, this camera is an excellent choice for your CCTV system.

1

3. Feature

- Super high resolution indoor/outdoor camera with a built-in high performance illuminator module.
- Total pixels of sensor: 2000Kpixels.
- High sensitivity, low smear, excellent anti-blooming, and high S/N ratio.
- Supports functions: Auto Electronic Shutter (AES), Auto Gain Control (AGC), Auto White Balance (AWB), Back Light Compensation (BLC), and Flickerless mode (FL).
- Built-in board Lens and furnished with mounting bracket.
- Automatic IR Cut Filter Removal.
- Low DC power consumption.
- Dual Window Structure .
- 3-Axis Concealed Cable Bracket.
- Waterproofing criterion: IP66.

4. Content

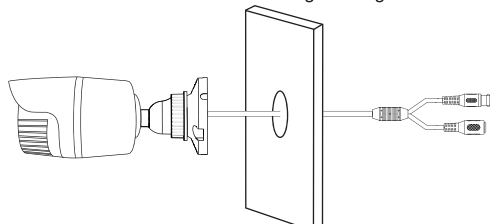


Item	Name of Part	Quantity
1	Infrared Camera	1
	Bag	1
2	A Fix Retaining Screw for Bracket	3
	B Anchor	3
3	Instruction Manual	1

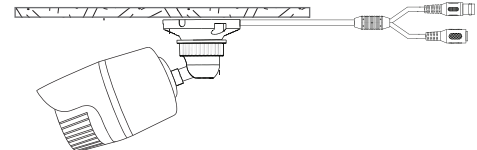
2

5. Installation & Operation

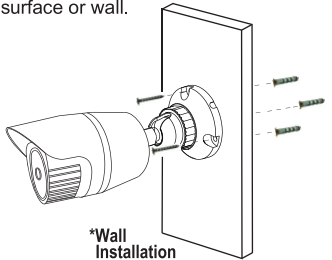
1. Install Preparation
Drill a hole in the wall if wire needs to go through the wall.



Or cable can go through the camera base slots, If the cable does not need to go through walls.



2. Install Camera
Use the 3 screws provided to attach the camera and bracket to the ceiling, surface or wall.



*Wall Installation

3